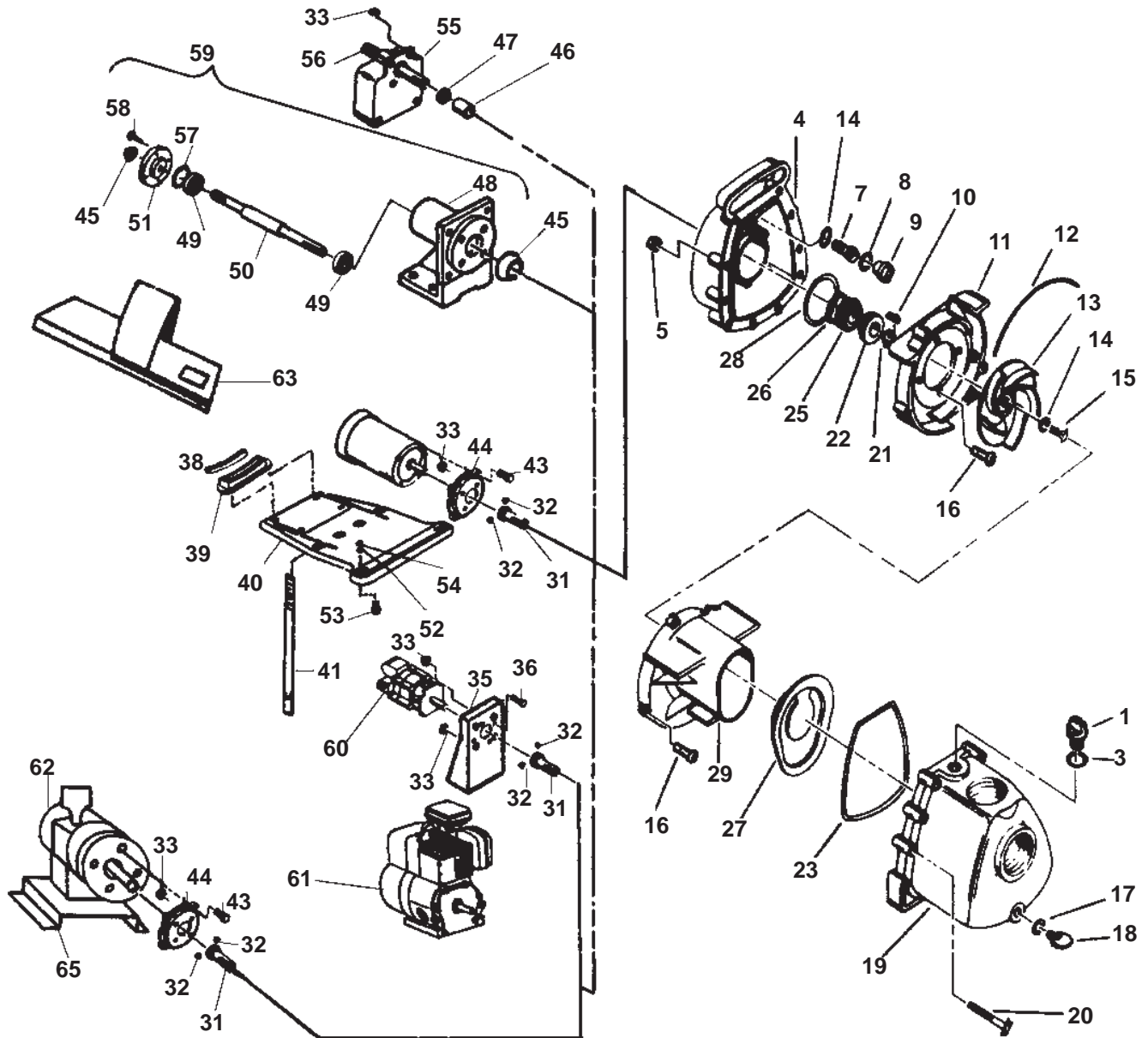


# SELF-PRIMING CENTRIFUGAL PUMP SERIES "A"

PARTS LIST  
PP-9910C  
Sept 2016

## EXPLODED VIEW PARTS DIAGRAM



ITEM #	PART #	DESCRIPTION	QTY.	ITEM #	PART #	DESCRIPTION	QTY.
1.....	58-0722 30B.....	PLUG, Filler, Black Polyester.....	1	.....	58-1245 72.....	O-RING, Screw Plug, EPDM.....	4
.....	58-0722 40.....	PLUG, Filler, Gray Polypropylene.....	1	.....	58-1245 73.....	O-RING, Screw Plug, VITON.....	4
3.....	58-0765 71.....	O-RING, Filler Plug, BUNA-N.....	1	9.....	58-1233 30.....	PLUG, Screw, Black Polyester.....	4
.....	58-0765 72.....	O-RING, Filler Plug, EPDM.....	1	.....	58-1233 40.....	PLUG, Screw, Gray Polypropylene.....	4
.....	58-0765 73.....	O-RING, Filler Plug, VITON.....	1	10.....	58-0718.....	KEY, 3/16" Sq. x 15/16" Long, Steel.....	1
4.....	58-1262 30B.....	BRACKET, Black Polyester.....	1	.....	58-0718 10.....	KEY, 3/16" Sq. x 15/16" Long, Stainless Steel.....	1
.....	58-1262 40.....	BRACKET, Gray Polypropylene.....	1	11.....	58-1302 30.....	VOLUTE, Rear, Black Polyester.....	1
5.....	58-0721 10.....	NUT, Stainless Steel, 1/4"-20.....	10	.....	58-1302 40.....	VOLUTE, Rear, Gray Polypropylene.....	1
.....	58-0721 10F.....	FLANGE NUT, BODY, Stainless Steel, 1/4"-20, for Polypropylene pumps only.....	10	12.....	58-1246 71.....	O-RING, Segment, BUNA-N.....	1
7.....	58-0715 10.....	SCREW, 5/16-24 x 1.25" Long, Stainless Steel, for Pumps close-coupled to engines and cast pedestal mounted.....	4	.....	58-1246 72.....	O-RING, Segment, EPDM.....	1
.....	58-2167 10.....	SCREW, 5/16-18 x 1.5" Long, Stainless Steel, for Pumps close-coupled to electric, hydraulic, or thermoplastic bearing pedestal.....	4	.....	58-1246 73.....	O-RING, Segment, VITON.....	1
8.....	58-1245 71.....	O-RING, Screw Plug, BUNA-N.....	4	13.....	58-0683 30.....	IMPELLER, Black Polyester.....	1
.....	.....	.....	.....	.....	58-0683 40.....	IMPELLER, Gray Polypropylene.....	1
.....	.....	.....	.....	14.....	58-0717 71.....	O-RING, Screw, BUNA-N.....	5
.....	.....	.....	.....	.....	58-0717 72.....	O-RING, Screw, EPDM.....	5
.....	.....	.....	.....	.....	58-0717 73.....	O-RING, Screw, VITON.....	5
.....	.....	.....	.....	15.....	58-0716 10.....	SCREW, Impeller, 5/16-24 x .75" Long, Stainless Steel.....	1

**"A" PUMP PARTS LIST**

ITEM #	PART #	DESCRIPTION	QTY./PUMP
16	58-1348 10	SCREW, Volute, #10 x .75", Stainless Steel	7
17	58-1009 71	O-RING, Drain Plug, BUNA-N	1
	58-1009 72	O-RING, Drain Plug, EPDM	1
	58-1009 73	O-RING, Drain Plug, VITON	1
18	58-0723 30	PLUG, Drain, Black Polyester	1
	58-0723 40	PLUG, Drain, Gray Polypropylene	1
19	58-1261 30B	BODY, 2" NPT, Black Polyester	1
	58-1261 40	BODY, 2" NPT, Gray Polypropylene	1
	58-1873 30B	BODY, 2" BSP, Black Polyester	1
20	58-0720 10	SCREW, Body, Stainless Steel, 1/4"-20 x 2-3/8"	10
21	58-0778 11	SHIM, Impeller, .006", Stainless Steel	as required
	58-0778 12	SHIM, Impeller, .015", Stainless Steel	as required
	58-0778 13	SHIM, Impeller, .030", Stainless Steel	as required
22, 25 & 26	58-0714 11	SHAFT SEAL, BUNA-N	1
	58-0714 12	SHAFT SEAL, EPDM	1
	58-0714 14	SHAFT SEAL, VITON	1
23	58-1926 71	O-RING, Body, BUNA-N	1
	58-1926 72	O-RING, Body, EPDM	1
	58-1926 73	O-RING, Body, VITON	1
26	58-0976 71	O-RING, Shaft Seal, BUNA-N	1
	58-0976 72	O-RING, Shaft Seal, EPDM	1
	58-0976 73	O-RING, Shaft Seal, VITON	1
27	58-1872 71	CHECK VALVE, BUNA-N	1
	58-1872 72	CHECK VALVE, EPDM	1
	58-1872 73	CHECK VALVE, VITON	1
28	58-1203 71	O-RING, Rear Volute, BUNA-N	1
	58-1203 72	O-RING, Rear Volute, EPDM	1
	58-1203 73	O-RING, Rear Volute, VITON	1
29	58-1303 30	VOLUTE, Front, Flat, Black Polyester	1
	58-1303 60	VOLUTE, Front, Flat, Brown Ryton (used only in Polypropylene pumps)	1
	58-1304 31	VOLUTE, Front, Black Polyester, BUNA Lined	1
	58-1304 32	VOLUTE, Front, Black Polyester, EPDM Lined	1
31	58-1014 10	ADAPTER, Shaft, .625" Dia. Bore, Stainless Steel, for Close-Coupled Electric or Pneumatic Motor	1
	58-1165 10	ADAPTER, Shaft, .563" Dia. Bore, Stainless Steel, for Hydraulic Motor	1
32	58-0883	SCREW, Set, 1/4"-20 x 1/4" Long, Steel	2
33	58-0745 10	NUT, Keps, 5/16"-18, Stainless Steel	4
35	58-1011 20	BASE, Hydraulic Motor, Molded Plastic	1
36	58-0729 H	SCREW, 5/16"-18 x 1" Long, Plated Steel	4
38	58-1826 71	PAD, Rubber, Saddle	1
39	58-1828 90	SADDLE, Electric Motor, NEMA 56 Frame Motor	1
	58-1825 90	SADDLE, Electric Motor, NEMA 48 Frame Motor	1
40	58-1823 40	BASE PLATE, CC Motor, Polypropylene	1
41	58-0934 10	STRAP, Electric Motor, Stainless Steel	1
43	58-1015 10	SCREW, Hex Cap, 3/8"-16 x 1.25" Long, Stainless Steel	4
44	58-1010 20	ADAPTER, CC Motor, Molded Plastic	1
45	58-1955 71	LIP SEAL, BUNA-N	2
47	58-0884 71	SLINGER, BUNA-N	1
48	58-1951 90	HOUSING, Bearing, Cast Iron	1
49	58-1954 90	BEARING	2
50	58-1952 10	SHAFT, Stainless Steel	1
51	58-1953 10	END PLATE, Stainless Steel	1
52	58-0730 10	FLAT WASHER, .563", Stainless Steel	2
53	58-0729 10	SCREW, Stainless Steel, 5/16"-18 x 1"	2
54	58-0745 10	NUT, Keps, 5/16"-18, Stainless Steel	2
55	58-0759 20	BEARING PEDESTAL, Molded Plastic	1
56	58-0777	BEARING/SHAFT ASSEMBLY, Standard, Carbon Steel Shaft	1
	58-0777 10	BEARING/SHAFT ASSEMBLY, with Stainless Steel Shaft Sleeve	1
57	58-1956 10	SHIM, Bearing Shaft, Pedestal, .006", Stainless Steel	as required
58	58-2525 10	SCREW, Hx. Hd. 1/4"-20 x 3/4", Stainless Steel	4
59	58-1950 01	ASSEMBLY, Bearing Pedestal (Consists of Items 45, 48, 49, 50, 51, 57 & 58)	1
60	58-0686	MOTOR, Hydraulic	1
61	58-0634	ENGINE, B & S, Series 550 OHV, Recoil Start	1
	58-0644	ENGINE, B & S, Series 900, OHV, Recoil Start	1
	58-0635 H	ENGINE, Honda, GX 160 OHV, Recoil Start	1
62	58-0926	MOTOR, Pneumatic	1
63	58-0028	BASE PLATE KIT, Std. Duty, Call Factory For Details	1
	58-0016	BASE PLATE KIT, Heavy Duty, Call Factory For Details	1
65	58-0929	BASE PLATE, Steel, For Pneumatic Motor	1

**NOTE:** All specifications, as shown, subject to change without notice.

F.O.B. Lancaster, PA

Minimum Order: \$25.00 Net

Distributed by:

**PACER® PUMPS**

*Div. of ASM Industries, Inc.*

**servicing  
industry  
worldwide**

41 Industrial Circle 717-925-8240  
Lancaster, PA 17601-5927 800-233-3861  
Email:sales@pacerpumps.com FAX: 717-656-0477