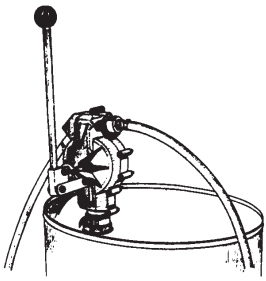


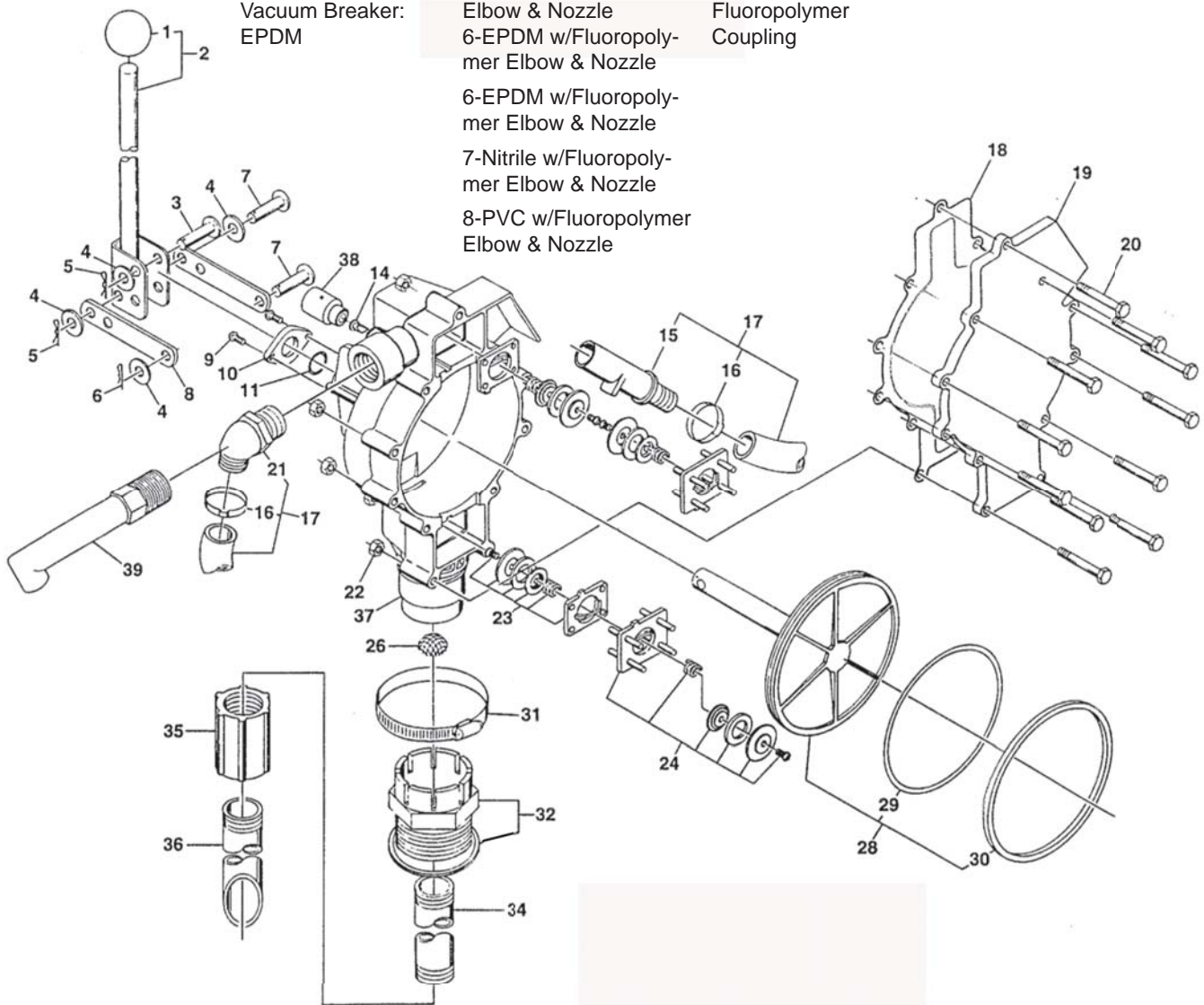
HAND DISPENSING PUMP SERIES "HP"

PP9990G
June 2016



The model numbering system for the Hand Pump is made up of 7 digits, each of which tells something about how the pumps are built. The following chart explains each digit.

1st Digit Series	2nd Digit Housing Material	3rd Digit Elastomers	4th Digit Discharge Hose	5th Digit Suction Tube	6th Digit Discharge Spout	7th Digit Buttress Bung Adapter
H	P-Polyester	V-Gasket: Viton O-rings: Viton Vacuum Breaker: Viton	1-EPDM w/Polyester Elbow & Nozzle 2-Nitrile w/Polyester Elbow & Nozzle	A-Polyester Suction Tube	M-Polyester Discharge Spout	R-Polyporpylene/Polyester Assy. for HP Pump
	R-Ryton	N-Gasket: Cork/Nitrile O-rings: Viton Vacuum Breaker: Viton	3-PVC (Black) w/ Polyester Elbow & Nozzle 4-Clear Reinforced PVC Hose w/Polyester Elbow & Nozzle	B-Halar Suction Tube w/ Fluoropolymer Coupling	N-Fluoropolymer Discharge Spout	S-Polypropylene/Fluoropolymer Assy. for HP Pump
		E-Gasket: EPDM O-rings: EPDM Vacuum Breaker: EPDM	5-Clear Reinforced PVC Hose w/Halar Elbow & Nozzle 6-EPDM w/Fluoropolymer Elbow & Nozzle 6-EPDM w/Fluoropolymer Elbow & Nozzle 7-Nitrile w/Fluoropolymer Elbow & Nozzle 8-PVC w/Fluoropolymer Elbow & Nozzle	C-UHMW-PE Suction Tube w/ Fluoropolymer Coupling		



'HP' PUMP PARTS LIST

PP9990G
June 2016

Item	Part No.	Description	Qty.	Item	Part No.	Description	Qty.
1	58-1049 40 KNOB, Polypropylene	1	58-1338 92 PISTON ASSEMBLY, Teflon Ring, Fluoropolymer, EPDM O-ring	1	
2	58-1050 01 HANDLE, Assembly includes Item 1	1	58-1338 93 PISTON ASSEMBLY, Teflon Ring, Fluoropolymer VITON O-ring	1	
	58-1050 01A HANDLE ASSEMBLY with fasteners	1	29	58-1029 72 O-RING, Piston, EPDM	1
3	58-1053 PIN, Clevis, 5/16" x 1-1/8" Plated Steel	1	58-1029 73 O-RING, Piston, VITON	1	
4	58-1380 90 WASHER, Flat, Nylon	4	30	58-1028 90 RING, Piston, Teflon, for Polyester Pumps	1
5	58-1379 CLIP, Hairpin, Plated Steel, Small	2	58-2024 90 RING, Piston, Teflon, for Ryton and Fluoropolymer Pumps	1	
6	58-1027 CLIP, Hairpin, Plated Steel, Large	1	31	58-1056 10 CLAMP, Bung Adapter, Stainless Steel	1
7	58-1031 PIN, Clevis, 5/16" x 1-1/4", Plated Steel	2	32*	58-1043 01 ADAPTER, Bung Assembly, Polyester, with Cork-Nitrile Gasket	1
8	58-1052 LINK, Plated Steel	2	58-1201 91 ADAPTER, Bung Assembly, Fluoropolymer with BUNA-N O-ring	1	
9	58-1348 10 SCREW, #10-14 x 3/4" Stainless Steel	2	58-1201 92 ADAPTER, Bung Assembly, Fluoropolymer with EPDM O-ring	1	
10	58-1032 30 PLATE, Retaining, Polyester, Black	1	58-1201 93 ADAPTER, Bung Assembly, Fluoropolymer with VITON O-ring	1	
	58-1032 90 PLATE, Retaining, Fluoropolymer, White	1	58-0031 P ADAPTER, Buttress/Bung Assembly, Polypropylene/Polyester, 2" Buttress x 2" NPT for HP Pumps	1	
11*	58-1030 72 O-RING, Piston Rod, EPDM	1	58-0031 R ADAPTER, Buttress/Bung Assembly, Polypropylene Fluoropolymer, 2" Buttress x 2" NPT for HR Pumps	1	
	58-1030 73 O-RING, Piston Rod, VITON	1	58-0031 H ADAPTER, Buttress/Bung Assembly, Polypropylene/Fluoropolymer, 2" Buttress x 2" NPT for HH Pumps	1	
14*	58-1040 72 VACUUM BREAKER, EPDM, Black	1	33*	58-1381 90 GASKET, Bung Adapter, Cork-Nitriles	1
	58-1040 73 VACUUM BREAKER, VITON, Green	1	58-1822 71 O-RING, Bung Adapter, BUNA-N	1	
15	58-1325 30 NOZZLE, No-lead, Polyester, Black	1	58-1822 72 O-RING, Bung Adapter, EPDM	1	
	58-1325 90 NOZZLE, No-lead, Fluoropolymer, White	1	58-1822 73 O-RING, Bung Adapter, VITON	1	
16	58-1044 12 CLAMP, Hose, Crimped, Stainless Steel	2	34	58-1007 30 TUBE, Extension, 16-1/2" Long, Polyester	1
17	58-1342 02 HOSE, Discharge Assembly, Black PVC with Polyester Nozzle and Fitting	1	58-1007 50 TUBE, Extension, 16-1/2" Long, UHMW-PE	1	
	58-1342 92 HOSE, Discharge Assembly, Black PVC with Fluoropolymer Nozzle and Fitting	1	58-1007 90 TUBE, Extension, 16-1/2" Long, Fluoropolymer	1	
	58-1342 04 HOSE, Discharge Assembly, Black Nitrile with Polyester Nozzle and Fitting	1	35	58-1055 30 COUPLING, 1" NPT, Polyester, Black	1
	58-1342 94 HOSE, Discharge Assembly, Black Nitrile with Fluoropolymer Nozzle and Fitting	1	58-1055 90 COUPLING, 1" NPT, Fluoropolymer, White	1	
	58-1342 05 HOSE, Discharge Assembly, Red EPDM with Polyester Nozzle and Fitting	1	36	58-1045 30 TUBE, Suction, 16-1/2" Long (for 55 Gal. Drum) Polyester	1
	58-1342 95 HOSE, Discharge Assembly, Red EPDM with Fluoropolymer Nozzle and Fitting	1	58-1045 50 TUBE, Suction, 16-1/2" Long (for 55 Gal. Drum) UHMW-PE	1	
	58-1342 07 HOSE, Discharge Assembly, Clear Reinforced PVC with Polyester Fitting	1	58-1045 90 TUBE, Suction, 16-1/2" Long (for 55 Gal. Drum) Fluoropolymer	1	
	58-1342 97 HOSE, Discharge Assembly, Clear Reinforced PVC with Halar Nozzle and Fitting	1	58-2029 30 TUBE, Suction, 10-1/4" Long (for 30 Gal. Drum) Polyester	1	
18*	58-1204 72 GASKET, Coverplate, EPDM, Black	1	58-0069 TUBE, Suction, 35" Long, PVC (not shown)	1	
	58-1204 73 GASKET, Coverplate, VITON, Brown	1	58-1022 30A HOUSING, Polyester, Red	1	
	58-1204 90 GASKET, Coverplate, Cork-Nitrile	1	58-1022 60 HOUSING, Ryton, Black	1	
19	58-1209 30A COVERPLATE, Polyester, Red	1	58-1022 90 HOUSING, Fluoropolymer, White	1	
	58-1209 60 COVERPLATE, Ryton, Black	1	38	58-2022 30 PLUG, Vent, Polyester, Black	1
	58-1209 90 COVERPLATE, Fluoropolymer, White	1	58-2022 90 PLUG, Vent, Fluoropolymer, White	1	
20	58-1206 SCREW, 1/4-20 x 2", Slotted Hex Washer Head, Plated Steel	11	58-2020 30 SPOUT, Polyester, Black	1	
	58-1206 10 SCREW, 1/4-20 x 2", Slotted Hex Washer Head, Stainless Steel	11	58-2020 90 SPOUT, Fluoropolymer, White	1	
21	58-1214 30 ADAPTER, Hose, Polyester, Black 3/4" MNPT x 3/4" Hose Barb, 60° Elbow	1				
	58-1214 90 ADAPTER, Hose, Fluoropolymer, White 3/4" MNPT x 3/4" Hose Barb, 60° Elbow	1				
22	58-0721 NUT, Hex, 1/4-20, Plated Steel	11				
	58-0721 10 NUT, Hex, 1/4-20, Stainless Steel	11				
23*	58-1340 02 VALVE ASSEMBLY, Small, Polyester, EPDM	2				
	58-1340 02H VALVE ASSEMBLY, Small, Polyester, EPDM Hastelloy Spring	2				
	58-1340 03 VALVE ASSEMBLY, Small, Polyester, VITON Hastelloy Spring	2				
	58-1340 03H VALVE ASSEMBLY, Small, Polyester, VITON Hastelloy Spring	2				
	58-1340 92 VALVE ASSEMBLY, Small, Fluoropolymer EPDM	2				
	58-1340 92H VALVE ASSEMBLY, Small, Fluoropolymer EPDM, Hastelloy Spring	2				
	58-1340 93 VALVE ASSEMBLY, Small, Fluoropolymer VITON	2				
	58-1340 93H VALVE ASSEMBLY, Small, Fluoropolymer VITON, Hastelloy Spring	2				
24*	58-1341 02 VALVE ASSEMBLY, Large, Polyester, EPDM Hastelloy Spring	2				
	58-1341 02H VALVE ASSEMBLY, Large, Polyester, EPDM Hastelloy Spring	2				
	58-1341 03 VALVE ASSEMBLY, Large Polyester, VITON Hastelloy Spring	2				
	58-1341 03H VALVE ASSEMBLY, Large Polyester, VITON Hastelloy Spring	2				
	58-1341 92 VALVE ASSEMBLY, Large Fluoropolymer, EPDM	2				
	58-1341 92H VALVE ASSEMBLY, Large Fluoropolymer, EPDM Hastelloy Spring	2				
	58-1341 93 VALVE ASSEMBLY, Large Fluoropolymer, VITON	2				
	58-1341 93H VALVE ASSEMBLY, Large Fluoropolymer, VITON Hastelloy Spring	2				
26	58-1038 10 SCREEN, Filter, Stainless Steel	1				
28*	58-1338 02 PISTON ASSEMBLY, Teflon Ring, Polyester, EPDM O-ring	1				
	58-1338 03 PISTON ASSEMBLY, Teflon Ring, Polyester, VITON O-ring	1				

* Certain pump parts are available in several materials. Use the first 3 digits of your model number to select the proper "O" rings and gaskets from the following chart.

	MODEL	'O' RING	GASKET
POLYESTER	HPV	VITON	VITON
	HPN	VITON	CORK-NITRILE
	HPE	EPDM	EPDM
RYTON	HRV	VITON	VITON
	HRE	EPDM	EPDM

PACER® PUMPS

Division of ASM Industries, Inc.

41 Industrial Circle
Lancaster, PA 17601-5927
Email: sales@pacerpumps.com
717-925-8240
800-233-3861
Fax: 717-925-8242

Serving industry worldwide

Minimum Order \$25.00