

SELF-PRIMING CENTRIFUGAL "T" PUMP

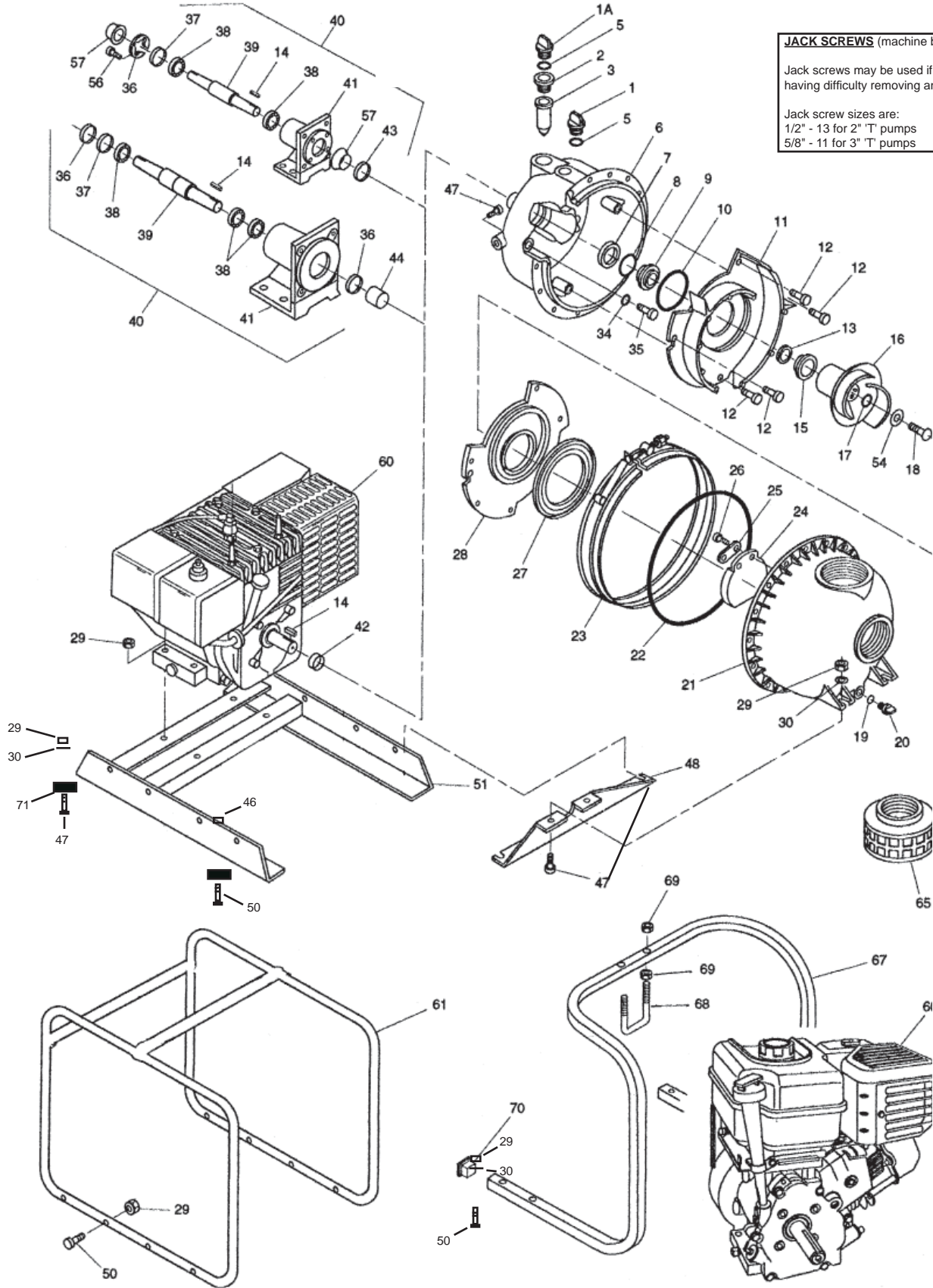
EXPLODED VIEW PARTS DIAGRAM

PARTS LIST
PP-9920K
Sept. 2017

JACK SCREWS (machine bolt)

Jack screws may be used if you are having difficulty removing an impeller.

Jack screw sizes are:
1/2" - 13 for 2" "T" pumps
5/8" - 11 for 3" "T" pumps



servicing
industry
worldwide

PACER® PUMPS
Div. of ASM Industries, Inc.

41 Industrial Circle
Lancaster, PA 17601-5927
Email: sales@pacerpumps.com
Web: www.pacerpumps.com

717-925-8240
800-233-3861
FAX: 717-925-8242

"T" PUMP PARTS LIST

*All parts may be used for either 2" or 3" pumps unless specifically designated otherwise.

PUMP				PUMP						
ITEM #	SIZE*	PART #	PART DESCRIPTION	QTY./PUMP	ITEM #	SIZE*	PART #	PART DESCRIPTION	QTY./PUMP	
1		58-0722 30B	..PLUG, Filler, Polyester	1	1					
1A		58-0722 30B	..PLUG Filler, Oil Lube, Polyester	1	23		58-46305 10	..CLAMP, V-Band, Stainless Steel	1	
2		58-46294 30	..RETAINER Lube Tube	1	24		58-46217 71	..VALVE, Check, Buna-N	1	
3		58-46215 71	..TUBE, Lubrication, Buna-n	1	25		58-46344 30	..RETAINER, Check valve, Polyester	1	
5		58-0765 71	...O-RING, Filler Plug, Buna-N	2	26		58-1348 10	...SCREW, check valve retainer, #10-14 x 3/4" self-tapping, Stainless Steel	2	
6	2"	58-46218 31B	BRACKET Assy, Includes Items	1	27		58-46206 71	..GASKET, Suction, Buna-N	1	
			1, 1A, 2, 3, 5, 6, 7, 8, 9	1	28	2"	58-46225 91	..WEARPLATE, Rubber coated with Steel core	1	
	2"	58-46218 30B	BRACKET ONLY	1		3"	58-46205 91	..WEARPLATE, Rubber coated with Steel core	1	
	3"	58-46208 31B	BRACKET Assy, Includes Items	1	34	2"	58-0717 71	...O-RING, Bracket screw, Buna-N4	1	
			1, 1A, 2, 3, 5, 6, 7, 8, 9	1		3"	58-46303 71	..O-RING, Bracket screw, Buna-N	4	
	3"	58-46208 30B	BRACKET ONLY	1	35	2"	58-0715 10	...SCREW, Bracket, 5/16"-24 x 1-1/4" S.S.	4	
7	2"	58-46314 11	..SEAL, Oil Lip	1		3"	58-46308 10	..SCREW, Bracket, 3/8"-16 x 1-3/4" S.S.	4	
	3"	58-46313 11	..SEAL, Oil Lip	1	36	2"	58-1953 10	...END PLATE, Stainless Steel	1	
8	2"	58-0976 71	...O-RING, Shaft Seal, Buna-N	1		3"	58-46354	...RING, Snap, Retaining, Steel	2	
	3"	58-46307 71	...O-RING, Shaft Seal, Buna-N	1	37	2"	58-1956 10	...SHIM, Stainless Steel	as required	
8, 9	2"	58-46250 11	..SEAL, Shaft, Stainless Steel, & 15 Siliconized Graphite, Buna-N	1		3"	58-46353 10	..SHIM, Stainless Steel	as required	
	3"	58-46251 11	..SEAL, Shaft, Stainless Steel, Silicon Carbide, Buna-N	1	38	2"	58-1954 90	...BEARING	2	
10	2"	58-1203 71	...O-RING, Volute, Buna-N	1		3"	58-46372 90	..BEARING, for 58-46350 03 Ped. Assy	3	
	3"	58-46292 71	...O-RING, Volute, Buna-N	1	39	2"	58-1952 10	...SHAFT, 3/4" diameter, Stainless Steel	1	
11	2"	58-46224 80	..VOLUTE, Urethane coated with Steel core	1		3"	58-46371 10	..SHAFT, 1" x 1-1/8" diameter, Stainless Steel for 58-46350 03 ped assy	1	
	3"	58-46204 80	..VOLUTE, Urethane coated with Steel core	1	40	2"	58-1950 03	...PEDESTAL ASSY, includes items 36, 37, 38, 39, 41, 43, 56 & 57 (3/4" shaft)	1	
12	2"	58-46269 10	..SCREW, Button Head 1/4"-20 x 1" Stainless Steel	2		3"	58-46350 03	..PEDESTAL ASSY, includes items 36, 37, 38, 39, 41 & 44 (1" shaft)	1	
	3"	58-46269 10	..SCREW, Button Head 1/4"-20 x 1" Stainless Steel	4	41	2"	58-1951 90	...HOUSING, bearing pedestal, for 3/4" shaft	1	
13	2"	58-0778 11	...SHIM, Impeller, .006" S.S.	as required		3"	58-46373 90	..HOUSING, bearing pedestal for 58-46350 03 Pedestal Assembly	1	
	2"	58-0778 12	...SHIM, Impeller, .015" S.S.	as required	42	2"	58-0884 71	...SLINGER, for 3/4" shaft	1	
	2"	58-0778 13	...SHIM, Impeller, .030" S.S.	as required		3"	58-46266 71	..SLINGER, for 1" shaft	1	
	3"	58-46338 10	...SHIM, Impeller .015" S.S.	as required	43	2"	58-46219 10	...SLEEVE, for 3/4" shaft, Stainless Steel	1	
14	2"	58-46339	...KEY, 3/16" x 11/16" long, steel	1		44	3"	58-46359 10	...SLEEVE, for 1" shaft, s.s., pedestal only	1
	3"	58-46278	...KEY, 1/4" x 1" long, steel	1	47		58-0729	...SCREW, 5/16"-18 x 1", plated steel Engine drive only	as required	
16	2"	58-46229 80	..IMPELLER, Urethane coated with Steel core	1	48	2"	58-46306	...SUPPORT, Front housing, 17" long, Painted steel	1	
	2"	58-46229 81	..IMPELLER Assy, as above but with siliconized graphite seal half installed	1		3"	58-46365	...SUPPORT, Front housing, 19-15/16" Long, Painted steel	1	
	2"	58-46229 90	..IMPELLER, Molded, Polymar 656	1	50		58-2167	...SCREW, 5/16"-18 x 1-1/2", plated steel as required	1	
	2"	58-46229 91	..IMPELLER Assy, Molded Polymar 656 with siliconized graphite seal half installed	1	51	2"	58-46310	...CHASSIS weldment, painted steel	1	
	3"	58-46214 80	..IMPELLER, Urethane coated with Steel core	1		3"	58-46379	...CHASSIS weldment, painted steel	1	
	3"	58-46214 81	..IMPELLER, Assy, as above but with silicon carbide seal half installed	1	54	2"	58-46341	...WASHER, Impeller screw, rubber coated	1	
17	2"	58-46291 71	...O-RING, Impeller Screw, Buna-N	1	56	2"	58-2525 10	...SCREW, hex, 1/4"-20 x 3/4", Stainless	4	
	3"	58-46290 71	...O-RING, Impeller Screw, Buna-N Urethane coated 3" impellers only	1	57	2"	58-1955 71	...LIP SEAL, Buna-N	2	
18	2"	58-0715 10	...SCREW, Impeller, 5/16"-24 x 1-1/4" Stainless Steel	1	60	2"		Consult factory for replacement engine information	1	
	3"	58-46309 10	...SCREW, Impeller, 7/16"-20 x 1-1/4" Stainless Steel	1		3"		Consult factory for replacement engine information	1	
19		58-1009 71	...O-RING, Drain plug, Buna-N	1	61	3"	58-46254	...ROLL CAGE, for 3" 'T' pump	1	
20		58-0723 30	..PLUG, Drain, Polyester	1	65	2"	58-46286 RH	..STRAINER, Suction, Plated Steel	1	
21	2"	58-46252 31B	BODY Assy, Includes items 19, 20	1		3"	58-46287 RH	..STRAINER, Suction, Plated Steel	1	
	2"	58-46252 30B	BODY ONLY	1	67	2"	58-2035	...CARRYING HANDLE, for 2" 'T' pump	1	
	3"	58-46207 31B	BODY Assy, Includes items 19, 20, 24, 25, 26, 27 and the body	1	68	2"	58-2036	...U BOLT, 3/8-16, Plated Steel	1	
	3"	58-46207 30B	BODY ONLY	1	69	2"	58-2037	...HEX NUT, 3/8-16, Plated Steel	4	
22		58-46304 71	..O-RING, Body, Buna-N	1	70	2"	58-0726 90	...FINISHING CAP, Plastic	2	
				1	71	2"	58-0727 90	...RUBBER FEET	4	
				1		3"	58-46378 90	...RUBBER FEET	4	