



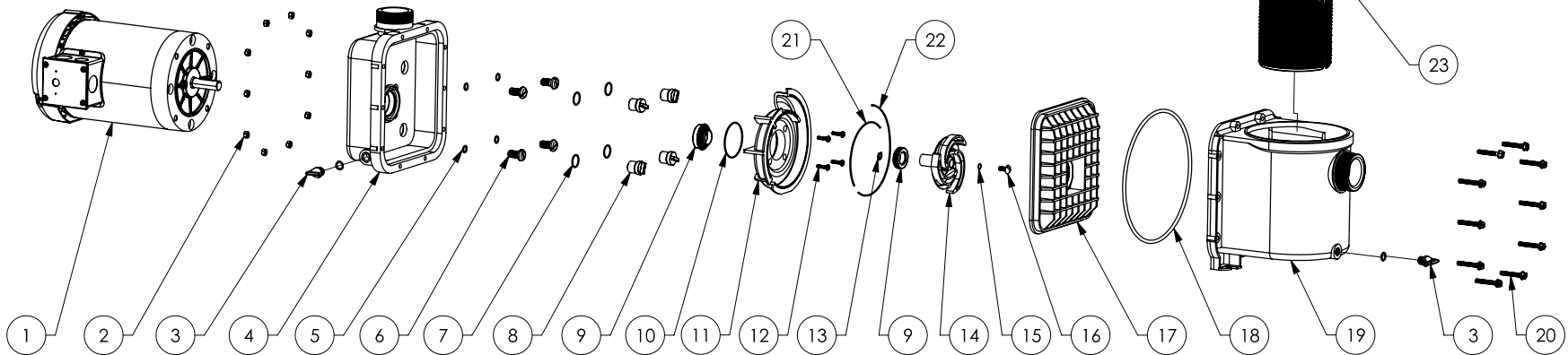
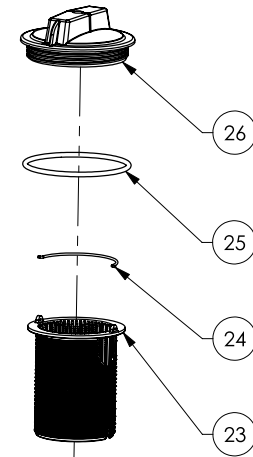
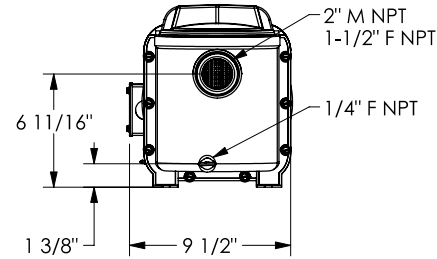
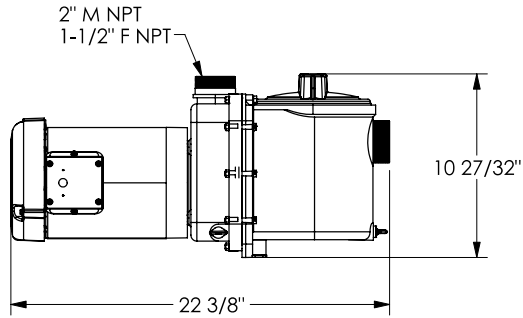
5/24/2021

# 2" Self-Priming Centrifugal Pump

Model: GNOK1-1/2/2DB-D1.5C

Price Code: 60-61D2-D1.5C

Driver: Leeson 60Hz Electric Motor (1.5 HP) Three Phase





## 2" Self-Priming Centrifugal Pump

Model: GNOK1-1/2/2DB-D1.5C

Price Code: 60-61D2-D1.5C

Driver: Leeson 60Hz Electric Motor (1.5 HP) Three Phase

NO.	DESCRIPTION	QTY	PART NO.
1	Leeson 1.5 HP Electric Motor 3Φ	1	62-1251-G
2	Nut, Body Bolt SS 1/4-20 x 7/8"	10	58-0721-10
3	Drain Plug and O-Ring Noryl Buna-N	2	58-0723-21
4	Body Noryl	1	58-1801-20
5	O-Ring, Mounting Bolt Buna-N	4	58-1824-71
6	Mounting Bolt SS 3/8-16 x 7/8"	4	58-1838-10
7	O-Ring, Mounting Bolt Plug Buna-N	4	58-1245-71
8	Mounting Bolt Plug Noryl	4	58-1833-20
9	Shaft Seal Buna-N, SS 316, carbon/ceramic 3/4"	1	58-0714-12
10	O-Ring, Volute Buna-N	1	58-1822-71
11	Volute Noryl	1	58-1802-20
12	Volute Screw SS #10-16 x 3/4"	4	58-1835-10
13	Shim, Impeller SS .006" .015" .030"	As Req.	58-1841-11 58-1841-12 58-1841-13
14	Impeller Noryl	1	58-0620-20
15	O-Ring, Impeller Screw Buna-N	1	58-1845-71
16	Impeller Screw SS 1/4-28 x 7/16"	1	58-1888-10
17	Volute Plate Noryl	1	58-1831-20
18	O-Ring, Volute Plate Buna-N	1	58-1858-71
19	Housing, Strainer Basket Noryl	1	58-1816-20
20	Body Bolt SS 1/4"-20 x 1-5/8"	10	58-1039-10
21	O-Ring Segment, Left Buna-N	1	58-1812-71
22	O-Ring Segment, Right Buna-N	1	58-1814-71
23	Strainer Basket PP	1	58-1809-40



## 2" Self-Priming Centrifugal Pump

Model: GNOK1-1/2/2DB-D1.5C

Price Code: 60-61D2-D1.5C

Driver: Leeson 60Hz Electric Motor (1.5 HP) Three Phase

24	Handle, SS Strainer Basket	1	58-1819-10
25	O-Ring, Buna-N Housing Cover	1	58-1820-71
26	Housing Cover Noryl	1	58-1818-20