

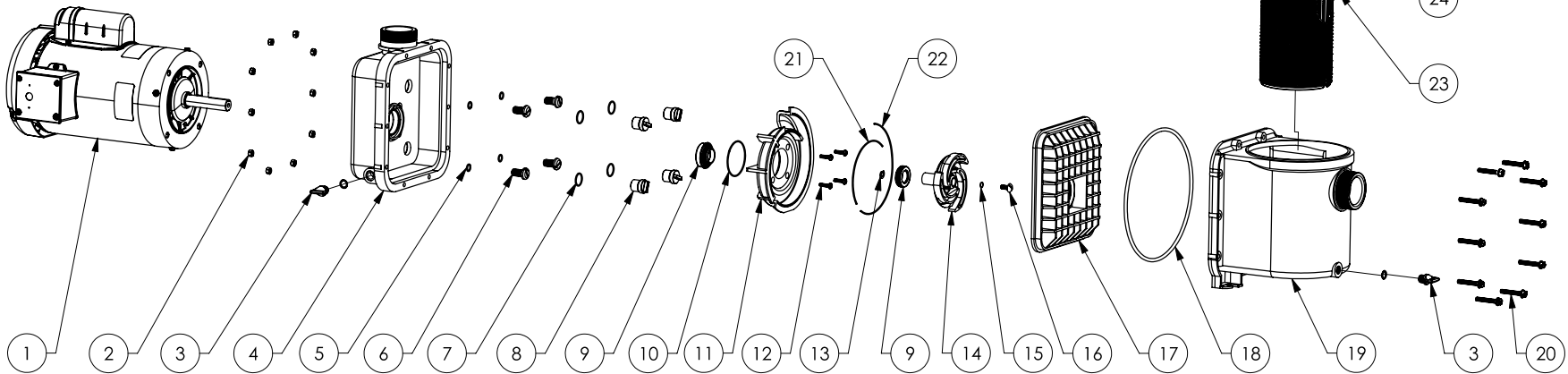
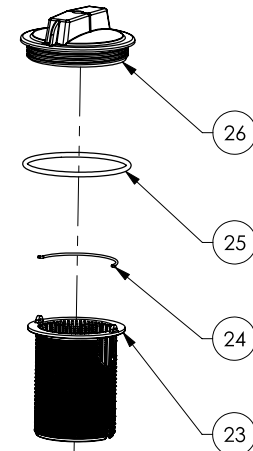
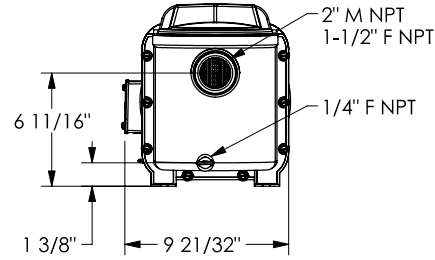
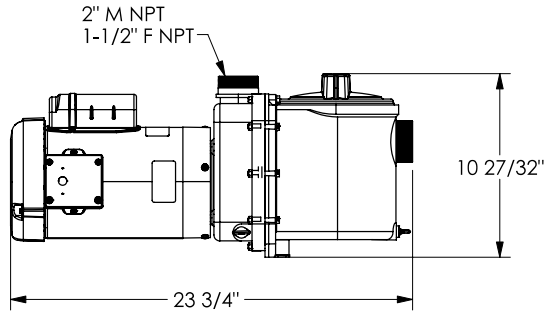


2" Self-Priming Centrifugal Pump

Model: GNOK1-1/2/2EL-C2.0C

Price Code: 60-61E4-C2.0C

Driver: Leeson 60Hz Electric Motor (2 HP) Single Phase





2" Self-Priming Centrifugal Pump

Model: GNOK1-1/2/2EL-C2.0C

Price Code: 60-61E4-C2.0C

Driver: Leeson 60Hz Electric Motor (2 HP) Single Phase

NO.	DESCRIPTION	QTY	PART NO.
1	Leeson 2 HP Electric Motor 1Φ	1	62-1254-G
2	Nut, Body Bolt SS 1/4-20 x 7/8"	10	58-0721-10
3	Drain Plug and O-Ring Noryl EPDM	2	58-0723-22
4	Body Noryl	1	58-1801-20
5	O-Ring, Mounting Bolt EPDM	4	58-1824-72
6	Mounting Bolt SS 3/8-16 x 7/8"	4	58-1838-10
7	O-Ring, Mounting Bolt Plug EPDM	4	58-1245-72
8	Mounting Bolt Plug Noryl	4	58-1833-20
9	Shaft Seal EPDM, SS 316, carbon/ceramic 3/4"	1	58-0714-12
10	O-Ring, Volute EPDM	1	58-1822-72
11	Volute Noryl	1	58-2110-20
12	Volute Screw SS #10-16 x 3/4"	4	58-1835-10
13	Shim, Impeller SS .006" .015" .030"	As Req.	58-1841-11 58-1841-12 58-1841-13
14	Impeller Noryl	1	58-0621-20
15	O-Ring, Impeller Screw EPDM	1	58-1845-72
16	Impeller Screw SS 1/4-28 x 7/16"	1	58-1888-10
17	Volute Plate Noryl	1	58-1831-20
18	O-Ring, Volute Plate EPDM	1	58-1858-72
19	Housing, Strainer Basket Noryl	1	58-1816-20
20	Body Bolt SS 1/4"-20 x 1-5/8"	10	58-1039-10
21	O-Ring Segment, Left EPDM	1	58-1812-72
22	O-Ring Segment, Right EPDM	1	58-1814-72
23	Strainer Basket PP	1	58-1809-40



2" Self-Priming Centrifugal Pump

Model: GNOK1-1/2/2EL-C2.0C

Price Code: 60-61E4-C2.0C

Driver: Leeson 60Hz Electric Motor (2 HP) Single Phase

24	Handle, SS Strainer Basket	1	58-1819-10
25	O-Ring, EPDM Housing Cover	1	58-1820-72
26	Housing Cover Noryl	1	58-1818-20